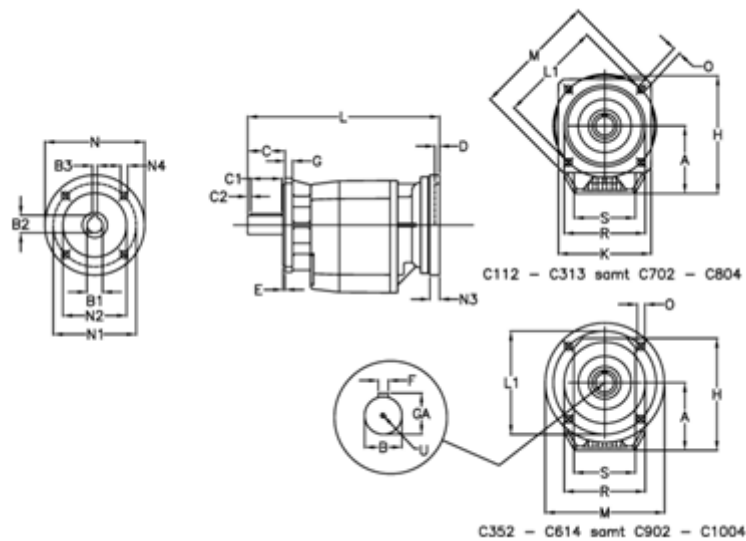


Data Sheet



Article number: 40600802222435
 Description: Helical gearbox
 C802F-22,2-P90B5

Measures



| | | | |
|-----------|-----------|-------------|------------|
| A = 247.0 | D = 4.0 | L1 = 350 | R = 320 |
| B = 80 | E = 5 | M = 400 | S = 300 |
| B1 = 24 | F = 22 | N = 200 | U = M20x42 |
| B2 = 27.3 | G = 20 | N1 = 165 | |
| B3 = 8 | GA = 85.0 | N2 = 130 | |
| C = 140 | H = 422.0 | N3 = 0 | |
| C1 = 110 | K = 350 | N4 = M10x12 | |
| C2 = 15 | L = 533.0 | O = 18.0 | |